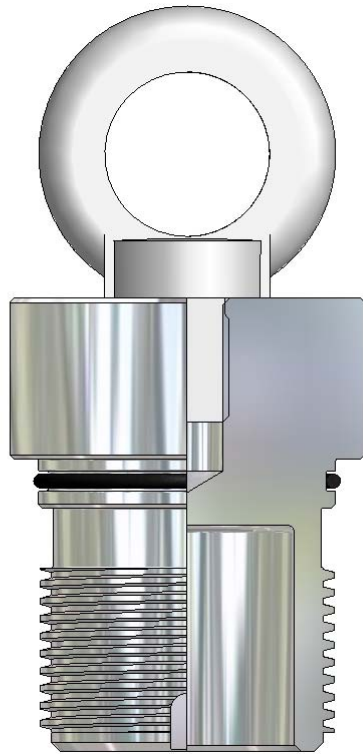


Thread Protector DYNAWELL for Gun Box



Technical Information

SPECIFICATIONS:

DESIGNED TO AS A SAFETY DEVICE TO PROTECT THE THREADS AND EXPLOSIVES COMPONENTS OF THE GUN BOX OF LOADED PERFORATING GUN ASSEMBLIES DYNAWELL

AVAILABLE SIZES:

SEE BELOW

RECOMMENDATIONS:

CHECK IF LIFTING EYE IS TIGHTEND
CHECK THAT CONNECTION TO GUN SYSTEMS DYNAWELL IS MADE UP TIGHT

Revision: IK04026AB

Selection Chart

Part No.	Size (mm / “)	Weight (kg)	Max. Weight on Lifting Eye at 0° (kg)	Max. Weight on Lifting Eye at 45° (kg)	Dimensions (mm)
-	43 / 1.687	-	-	-	-
-	54 / 2.125	-	-	-	-
2315432	70 / 2.750	2,4	700	400	182 x 70
2315433	73 / 2.875	2,8	1200	700	191 x 73
2315434	86 / 3.375	3,3	1200	700	181 x 86
2315435	102 / 4.000	5,7	1800	1100	220 x 102
2315436	114 / 4.500	8,3	3600	2400	239 x 114
2315576	178 / 7.000	/	/	/	/

Other Sizes available on request

www.dynaenergetics.com

dynawell@dynaenergetics.com

Tel.: +49 (0)5102 6757 0

DYNAenergetics GmbH & Co. KG warrants only title to the equipment, products, materials and supplies and that the same are free from defects in workmanship and materials. There are no warranties, expressed or implied, of merchantability fitness or otherwise, which extend beyond those stated in the immediately preceding sentence. DYNAenergetics liability and Customer's remedy in any case of action arising out of the sale or use of any equipment, products, materials and supplies is expressly limited to the replacement of such equipment, products, materials and supplies on their return to DYNAenergetics or, at DYNAenergetics option, to the allowance to the Customer of credit for the cost of such items. In no event shall DYNAenergetics be liable for special, incidental, punitive or consequential damages.