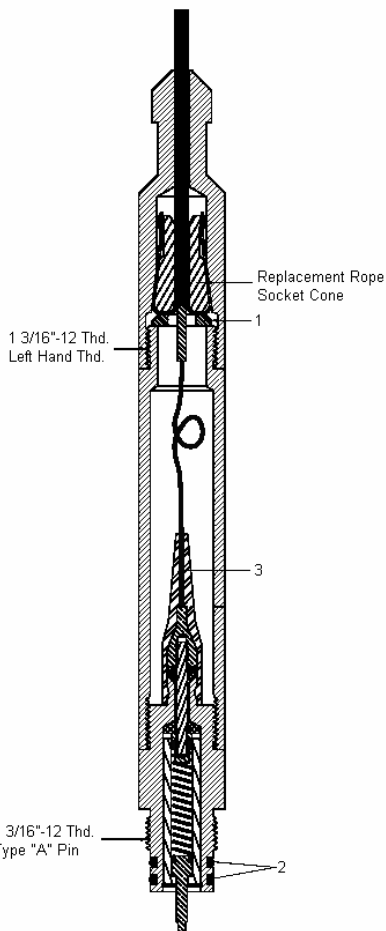


1 7/16" Cable Head Assembly

Item	Part No.	Weight	Dimensions	Replacement Rope Socket Cone
CABLEHEAD ASSY. 1/8" LINE	on demand	2.4 kg	37 x 305 mm	on demand
CABLEHEAD ASSY. 7/32" LINE	2316399	2.4 kg	37 x 305 mm	on demand
CABLEHEAD ASSY. 5/16" LINE	2819316	2.4 kg	37 x 305 mm	2313372
CABLEHEAD ASSY. 7/16" LINE	2316718	2.4 kg	37 x 305 mm	on demand
CABLEHEAD ASSY. 15/32" LINE	2316401	2.4 kg	37 x 305 mm	on demand
# 1: COMPRESSION WASHER	on demand	---	---	---
# 2: O-RING 260 °C / 500 °F	2314343	---	---	---
# 3: BOOT FOR ELECTRIC CONNECTION	2819332	---	---	---
CONTACT REPLACEMENT KIT	on demand	---	---	---



Technical Information

SPECIFICATIONS:

DESIGNED FOR ELECTRIC CONNECTION BETWEEN MONO CONDUCTOR WIRELINE AND 1 3/16"-12 THD TYPE „A“ BOX

BOTTOM CONNECTOR THREAD
1 3/16"-12 THD TYPE „A“ PIN

TEMPERATURE RATING DEPENDING ON O-RING TYPE

AVAILABLE SIZES:

DIVERSE SIZES AVAILABLE FOR DIFFERING CABLE DIAMETERS (SEE ABOVE CHART)

RECOMMENDATIONS:

CHECK INSULATION AND CONTINUITY BEFORE EACH RUN

Revision: IK05004AD