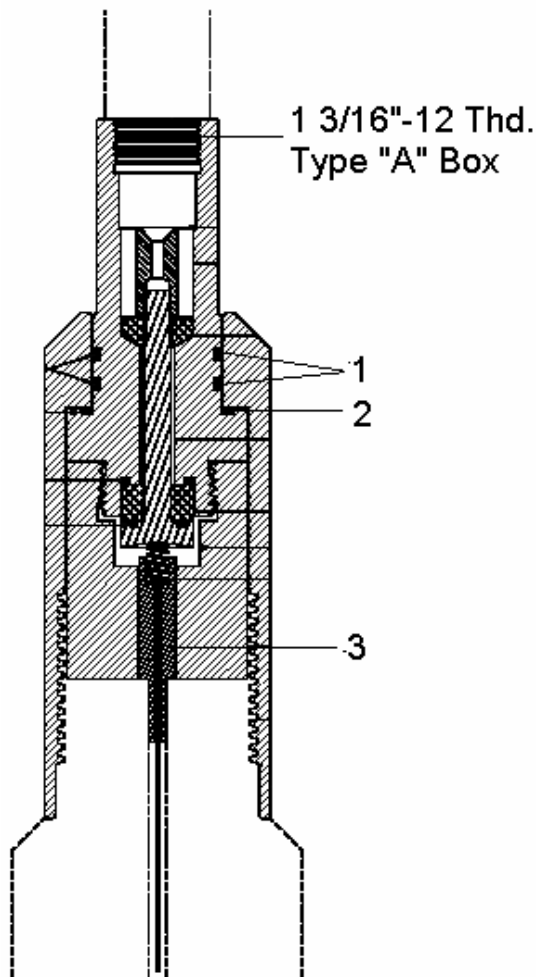


Quick Change Assembly
for use with 1 7/16" Cable Head Assembly

Item	Part No.	Weight	Dimensions
Quick Change Assy.	2819316	-	-
Contact Replacement Kit	2314680	-	-
# 1: O-RING 150 °C / 302 °F	2314435	-	-
# 1: O-RING 260 °C / 500 °F	2314160	-	-
# 3: Pig Tail Assembly	2819514	-	-



Technical Information

SPECIFICATIONS:

DESIGNED FOR CONNECTING 1 7/16" CABLE HEAD ASSY WITH TOP SUB FOR GUN SYSTEMS DYNAWELL OF 3 3/8" TO 7"

TOP CONNECTOR THREAD
1 3/16" – 12 THD. Type "A" BOX

BOTTOM CONNECTOR THREAD
2.750-6 TPI Acme

TEMPERATURE RATING DEPENDING ON
O-RING TYPE

AVAILABLE SIZES:

ONE SIZE AVAILABLE ONLY

RECOMMENDATIONS:

CHANGE PIG TAIL ASSEMBLY AFTER EACH
RUN

Revision: IK05003AC