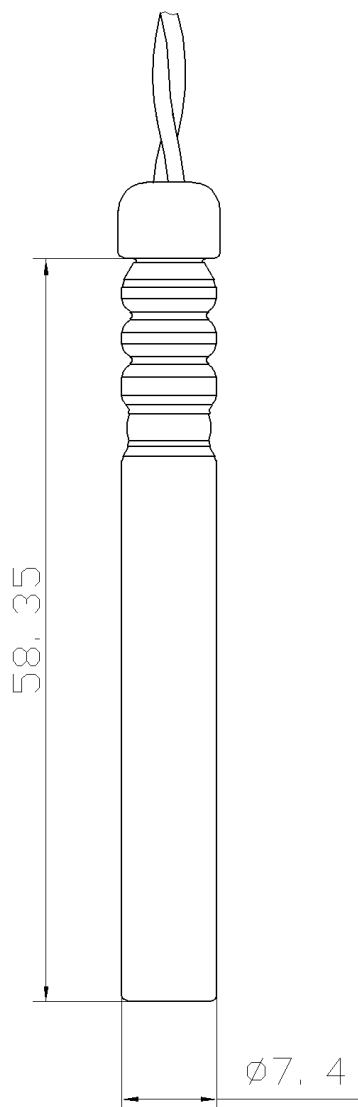


Electric Seismic Detonator DYNAWELL U-Type

Part No.	Classification	CE No.	UN No.	D.O.T.
See Selection Chart	1.4S	0589.EXP.2781/99	0456	EX-9907010

Technical Drawing (all dimensions in mm)



Technical Information

APPLICATION:

ELECTRIC DETONATOR FOR SEISMIC EXPLORATION

PRESSURE RESISTANCE:

1 MPa / 24 H

TEMPERATURE RESISTANCE:

- 35 °C TO + 60 °C - 31 °F TO + 140 °F

ELECTRICAL PARAMETERS:

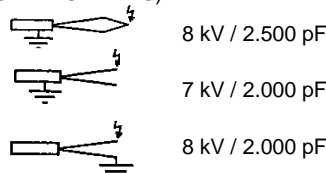
RESISTANCE OF FUSE HEAD: 0.45 – 0.65 Ω

RESISTANCE OF COPPER LEG WIRES: 0.06 Ω / m
OF STEEL LEG WIRES: 0.36 Ω / m

NO FIRE CURRENT: 0.45 A

ALL FIRE CURRENT: 5 A

ELECTROSTATIC RESISTANCE (3,5 m LEG WIRES):



DELAY ACCURACY:

5 A : 0.70 ± 0.1 ms

EXPLOSIVES:

FUSE HEAD: 35 MG PIKAT AND NCCNITROZELLULOSE

PRIMARY CHARGE: 62 MG LEAD AZIDE

BASE CHARGE: 750 MG PETN OR PENTOLIT

PERFORMANCE TEST:

STRENGTH: NO.8

LEAD PLATE: 5 MM THICK

PERFORMANCE:
HOLE DIAMETER: ≥ 8 MM

SHELF LIFE:

2 YEARS ACCORDING TO CE REGULATIONS

5 YEARS AT STORAGE CONDITION:

+ 5 °C TO + 30 °C + 41 °F TO + 86 °F

max. 65% RELATIVE HUMIDITY

GOOD VENTILATION

DISPOSAL:

DETONATORS SHOULD BE DESTROYED ONLY BY AUTHORISED PERSONS (ACCORDING TO NATIONAL LAW AND REGULATION).

Packing Information

Dimensions of box	44 x 30 x 31	cm	
Package Type	Carton	TDS Z 669	Revision: IK12003AF