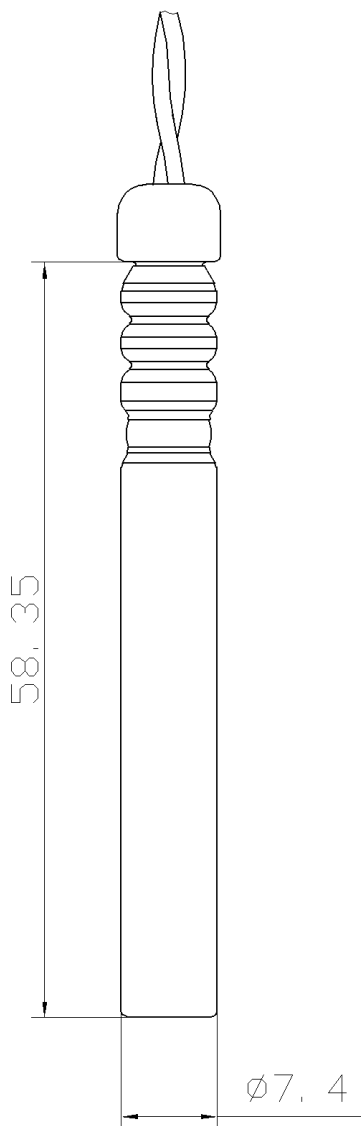


Electric Seismic Detonator DYNAWELL UD-Type

Part No.	Classification	CE No.	UN No.	D.O.T.
See Selection Chart	1.4S	0589.EXP.2786/99	0456	EX-9907010

Technical Drawing (all dimensions in mm)



Technical Information

APPLICATION:

ELECTRIC DETONATOR FOR SEISMIC EXPLORATION

PRESSURE RESISTANCE:

2 MPa / 6 H
0.5 MPa / 28 DAYS

TEMPERATURE RESISTANCE:

- 35 °C TO + 60 °C - 31 °F TO + 140 °F

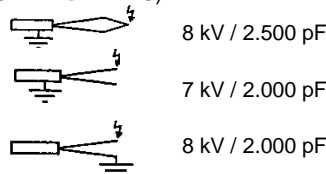
ELECTRICAL PARAMETERS:

RESISTANCE OF FUSE HEAD: 0.45 – 0.65 Ω

RESISTANCE OF COPPER LEG WIRES: 0.06 Ω / m
OF STEEL LEG WIRES: 0.36 Ω / m

NO FIRE CURRENT: 0.45 A
ALL FIRE CURRENT: 5 A

ELECTROSTATIC RESISTANCE (3,5 m LEG WIRES):



DELAY ACCURACY:

5 A : 0.70 ± 0.1 ms

EXPLOSIVES:

FUSE HEAD: 35 MG PIKAT AND NCCNITROZELLULOSE
PRIMARY CHARGE: 62 MG LEAD AZIDE
BASE CHARGE: 750 MG PETN OR PENTOLIT

PERFORMANCE TEST:

STRENGTH: NO.8
LEAD PLATE: 5 MM THICK
PERFORMANCE:
HOLE DIAMETER: ≥ 8 MM

SHELF LIFE:

2 YEARS ACCORDING TO CE REGULATIONS
5 YEARS AT STORAGE CONDITION:
+ 5 °C TO + 30 °C + 41 °F TO + 86 °F
max. 65% RELATIVE HUMIDITY
GOOD VENTILATION

DISPOSAL:

DETONATORS SHOULD BE DESTROYED ONLY BY AUTHORISED PERSONS (ACCORDING TO NATIONAL LAW AND REGULATION).

Packing Information

Dimensions of box	44 x 30 x 31	cm	
Package Type	Carton	TDS Z 670-en	Revision: IK12004AE